



# PRODUCTS CATALOG

ELECTRICAL ENCLOSURES & MODULAR CABINETS



# 20

[exmweb.com](http://exmweb.com)

# NEMA 4-12 ENCLOSURES

## 5412 ESCHB

### JIC ENCLOSURES (LIGHT GRAY, BOLT-ON FEET)

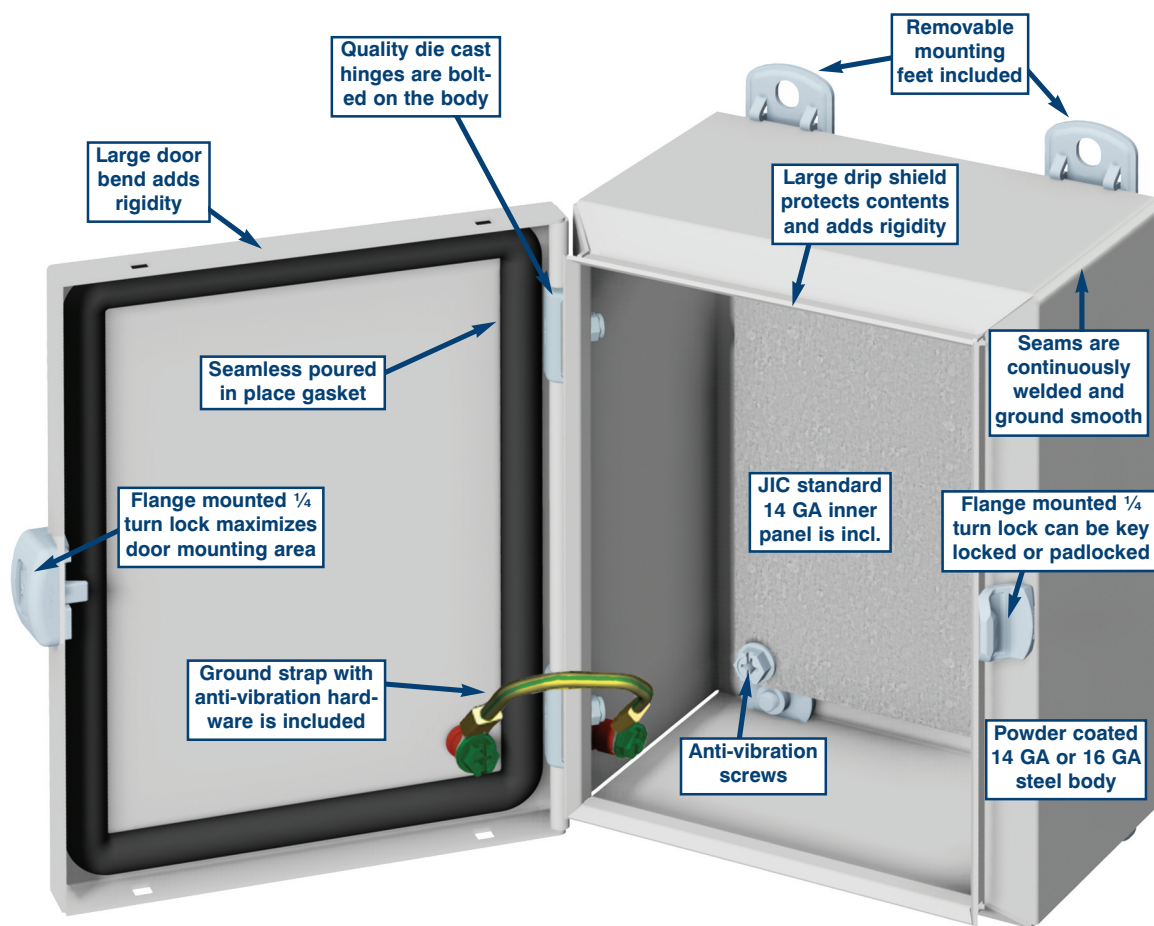
The 5412 ESCHB are used indoors or outdoors to protect the enclosed controls from dust, dirt, oil and water splashing. The 5412 ESCHB are made of high quality 16 GA steel, with continuously welded corner seams. The opening has a curled lip around all sides to increase rigidity and prevent dripping water from entering the enclosure when the door is open. A high quality, robotically poured-in-place, seamless gasket ensures a complete and durable water tight seal.

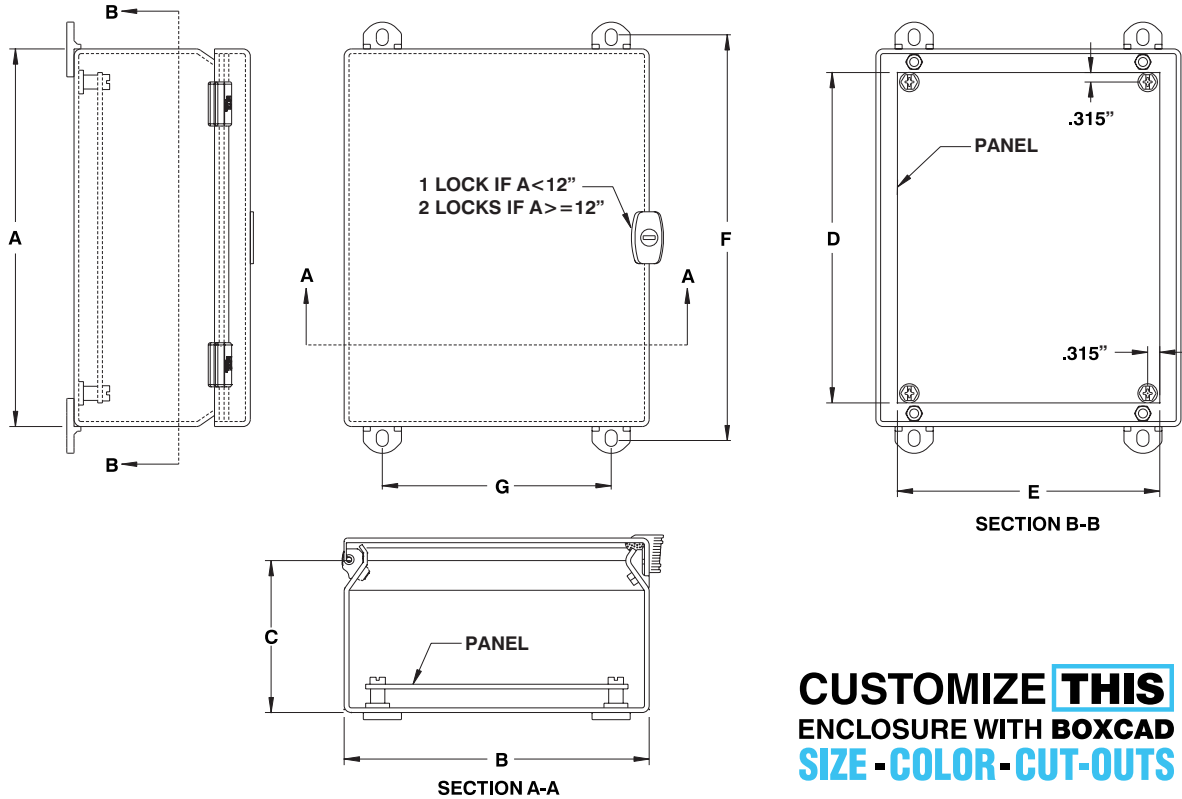
The enclosures feature die cast hinges, which are bound to the cover by an exclusive concealed hinge pin system. The covers are interchangeable and can be removed by unfastening the anti-vibration lock nuts. EXM's exclusive flange-mounted ¼ turn locking system ensures positive closing while leaving a full workable mounting surface on the door. Each enclosure comes complete with a 14 GA galvanized inner panel, which mounts on welded nuts. The enclosure

can be internally or externally mounted using the included wall mounting feet. These feet have oblong holes to facilitate installation. Enclosures are finished with heat fused powder paint, electrostatically applied on a pretreated base. Box is RAL7035 smooth gray.

**CSA Certified / UL Listed  
NEMA/EEMAC 4-12 / IP66**

**Refer to p.734 to validate  
choice of substrate for the  
application**





**CUSTOMIZE THIS**  
ENCLOSURE WITH **BOXCAD**  
SIZE - COLOR - CUT-OUTS

CATALOG NUMBER	DIMENSIONS							SHIP WT LBS.
	A	B	C	D	E	F	G	
5412 ESCHB040403	4	4	3	No.Pan.	No.Pan.	4.75	2	2
5412 ESCHB060403	6	4	3	4.88	2.88	6.75	2	3
5412 ESCHB060404	6	4	4	4.88	2.88	6.75	2	4
5412 ESCHB060604	6	6	4	4.88	4.88	6.75	4	5
5412 ESCHB080604	8	6	4	6.88	4.88	8.75	4	6
5412 ESCHB080804	8	8	4	6.88	6.88	8.75	6	8
5412 ESCHB081004	8	10	4	6.88	8.88	8.75	8	10
5412 ESCHB100804	10	8	4	8.88	6.88	10.75	6	10
5412 ESCHB120604	12	6	4	10.88	4.88	12.75	4	8
5412 ESCHB060605	6	6	5	4.88	4.88	6.75	4	6
5412 ESCHB080605	8	6	5	6.88	4.88	8.75	4	7
5412 ESCHB101005	10	10	5	8.88	8.88	10.75	8	14
5412 ESCHB101205	10	12	5	8.88	10.88	10.75	10	16
5412 ESCHB121005	12	10	5	10.88	8.88	12.75	8	16
5412 ESCHB121205	12	12	5	10.88	10.88	12.75	10	18
5412 ESCHB080606	8	6	6	6.88	4.88	8.75	4	7
5412 ESCHB100806	10	8	6	8.88	6.88	10.75	6	12
5412 ESCHB101006	10	10	6	8.88	8.88	10.75	8	14
5412 ESCHB121206	12	12	6	10.88	10.88	12.75	10	18
5412 ESCHB121406	12	14	6	10.88	12.88	12.75	12	19
5412 ESCHB140806	14	8	6	12.88	6.88	14.75	6	10
5412 ESCHB141206	14	12	6	12.88	10.88	14.75	10	19
5412 ESCHB141606	14	16	6	12.88	14.88	14.75	14	23
5412 ESCHB161006	16	10	6	14.88	8.88	16.75	8	19
5412 ESCHB161206	16	12	6	14.88	10.88	16.75	10	21
5412 ESCHB161406	16	14	6	14.88	12.88	16.75	12	23
5412 ESCHB121008	12	10	8	10.88	8.88	12.75	8	16
5412 ESCHB141208	14	12	8	12.88	10.88	14.75	10	20
5412 ESCHB161208	16	12	8	14.88	10.88	16.75	10	25
5412 ESCHB161408	16	14	8	14.88	12.88	16.75	12	26
5412 ESCHB161410	16	14	10	14.88	12.88	16.75	12	27



p.565

p.534

